

IS100 and IS150 SERVICE PARTS

This parts list contains the parts available for the IS100 and the IS150 ice dispensers.

These two models share many components, but not all.

Check the model number, and refer to the correct column list.

Options to the basic model of color, or a lighted sign add to the details that may alter a part number.

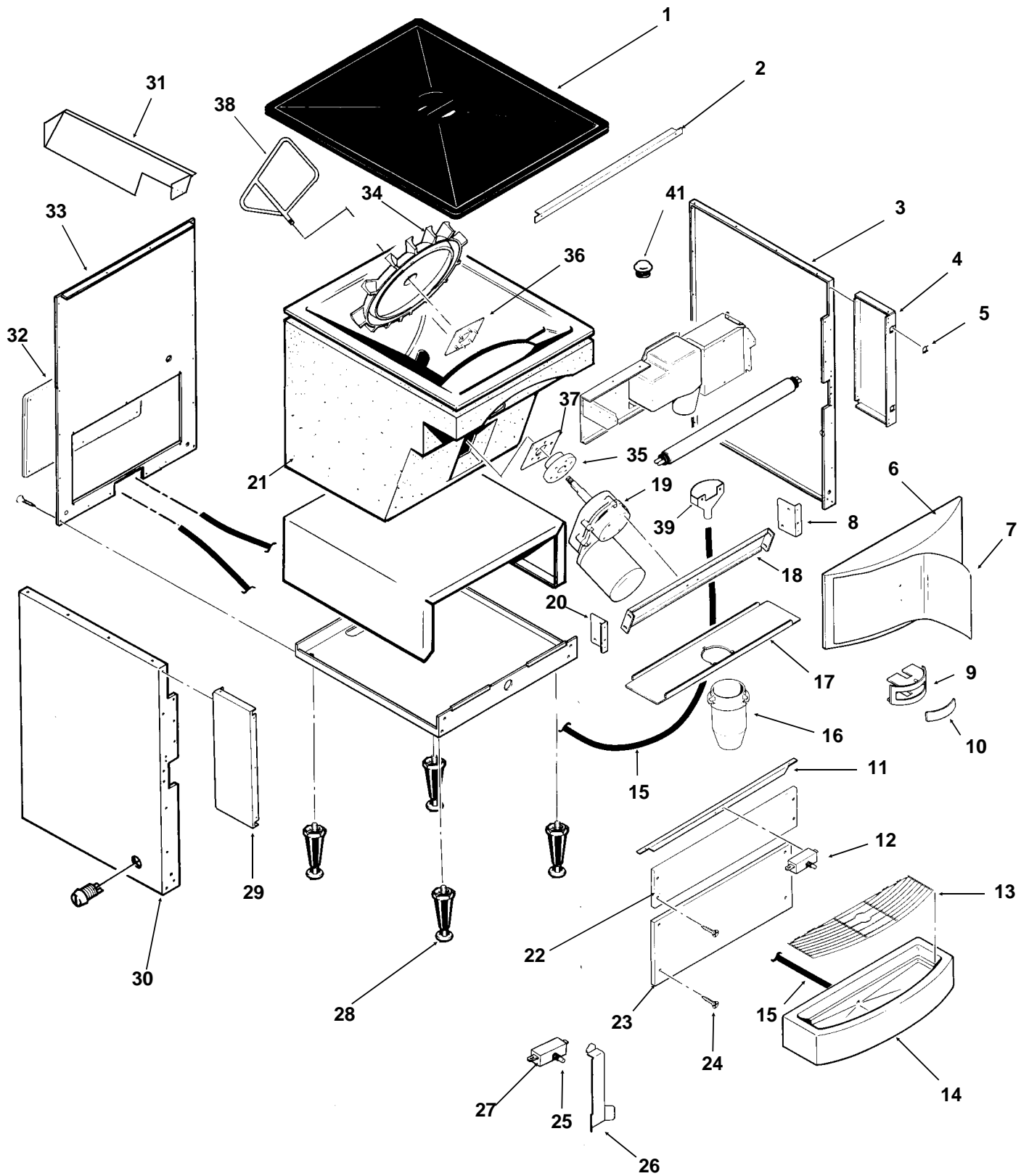
Check very carefully that the correct part is ordered.

TABLE OF CONTENTS

MAJOR COMPONENTS	PAGE 2
CONTROL BOX	PAGE 5
ICE DOOR	PAGE 6
WIRING DIAGRAMS	PAGE 7

IS100 and IS150 SERVICE PARTS

Major Components



IS100 and IS150 SERVICE PARTS

Major Components

ITEM NUMBER	IS100 PART NUMBER	IS150 PART NUMBER	DESCRIPTION
1	02-3047-02	02-3062-02	Black lid
	02-3047-02	02-3062-02	Gray lid
2	A34788-001	A34789-001	Upper front brace
3	A35252-003	A35252-003	Right side panel, Stainless Steel*
	A35252-001	A35252-001	Right side panel, painted*
4	A35251-001	A35251-001	Side Panel Extension, painted*
	A35257-004	A35257-004	Side Panel Extension, Stainless steel*
5	02-0836-00	02-0836-00	Catch
6	A35454-006	A35455-006	Upper front, black, not pushbutton, for light
	A35454-002	A35455-002	Upper front, gray, not pushbutton, for light
	A35454-008	A35455-008	Upper front, black, pushbutton, for light
	A35454-008	A35455-004	Upper front, gray, pushbutton, for light
	02-3084-01	02308401	Turn button for lighted upper front panels, above
7	15-0752-01	15-0754-01	Merch. sign for lighted panel, Coke
	15-0752-02	15-0754-02	Merch. sign for lighted panel, Pepsi
	15-0752-05	15-0754-05	Merch. sign for lighted panel, generic
8	A34784-002	A34784-002	Right side bracket
9	02-3071-01	02-3071-01	Bezel for Ice Switch Button
10	02-3072-01	02-3072-01	Button
11	A34799-001	A34800-001	Switch bracket
12	12-1570-01	12-1570-01	Microswitch
13	A36852-001	A36852-002	Grill
14	A36058-002	A36058-004	Sink, black
15	13-0674-13	13-0674-13	Drain tubing (1 unit = 1 ft.)

* B models only

parts list continued on the next page

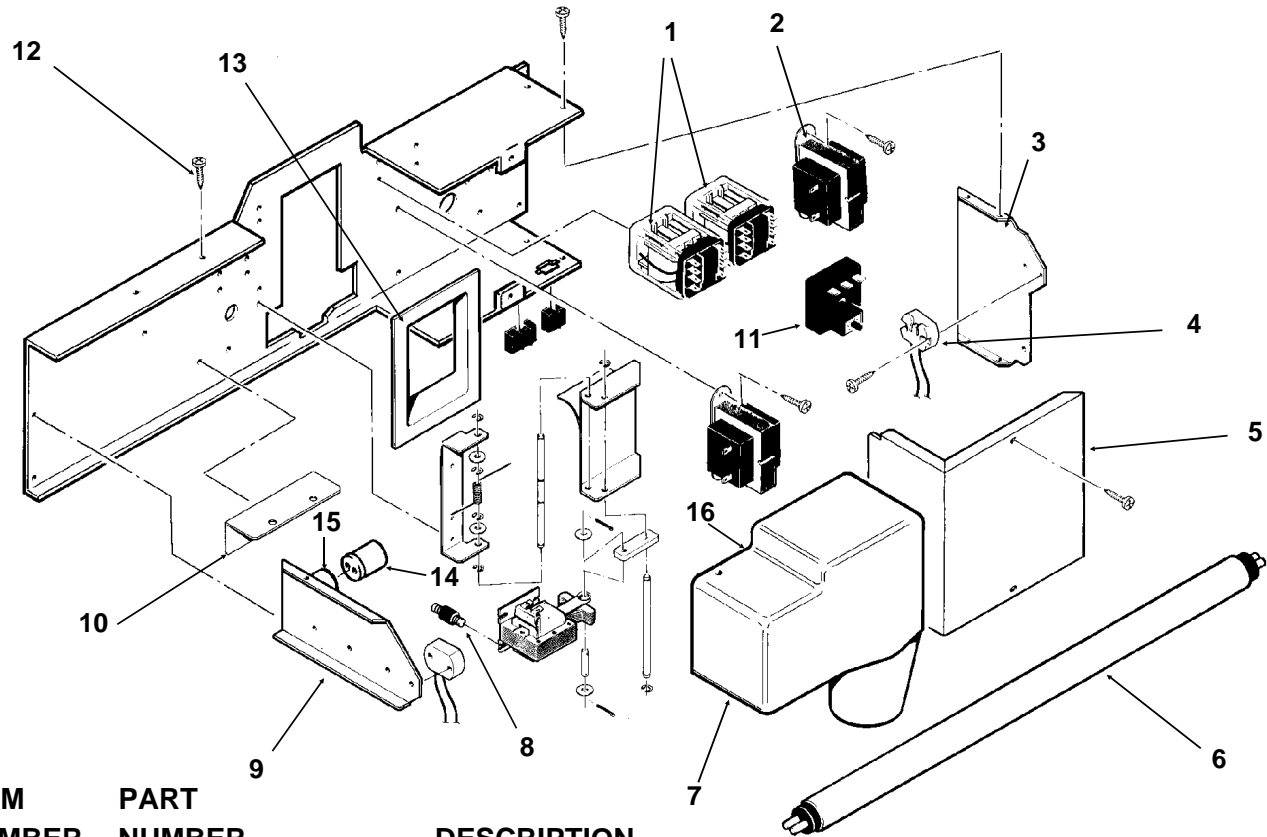
IS100 and IS150 SERVICE PARTS

Major Components

ITEM NUMBER	IS100 PART NUMBER	IS150 PART NUMBER	DESCRIPTION
16	02-3068-01	02-3068-01	Ice Chute
17	A34797-001	A34798-001	Panel for ice chute
18	A34786-001	A34787-001	Mounting Bracket
19	12-2369-21	12-2369-21	Gearmotor Assembly
20	A34784-001	A34784-001	Left side bracket
21	A34869-001	A34870-001	Hopper
22	A34794-006	A34795-010	Upper splash panel, pushbutton
	A34794-005	A34795-009	Upper splash panel, lever
23	A34790-001	A34791-001	Splash Panel
24	03-1419-22	03-141-922	Screw
25	12-2372-01	12-2372-01	Boot for microswitch
26	A34806-001	A34806-001	Lever "Push for Ice" lever models only
27	12-1570-00	12-1570-00	Microswitch
28	A32678-001	A32678-001	Leg
29	A35257-001	A35257-001	Side Panel Extension, painted*
	A35257-004	A35257-004	Side Panel Extension, stainless steel*
30	A35252-004	A35252-004	Left side panel, Stainless Steel*
	A35252-002	A35252-002	Left side panel, painted*
31	n/a	A34985-001	Ice diverter
		02-3911-01	Thumb screw for diverter
32	A34783-001	A34783-001	Access Panel, painted
	A34783-002	A34783-002	Access Panel, Stainless Steel
33	A35253-001	A35254-002	Back Panel, Stainless Steel
	A35253-002	A35254-001	Back Panel, Painted
34	02-3040-01	02-3040-01	Rotor
35	A34760-001	A34760-001	Hub Assembly, includes bearing and seal
	02-3075-01	02-3075-01	Bearing
	02-3065-01	02-3065-01	Seal
36	A34810-001	A34810-001	Mounting plate
37	A34817-001	A34817-001	Gearmotor plate
38	02-3103-01	02-3103-02	Sweep Arm
39	02-3102-01	02-3102-01	Funnel
40		03-0727-03	Thumb screw, 3/4" long
41	02-3418-01	02-3418-01	Drain top
	02-2692-01	02-2692-01	Drain bottom
	13-0617-11	13-0617-13	O-ring

* B models only

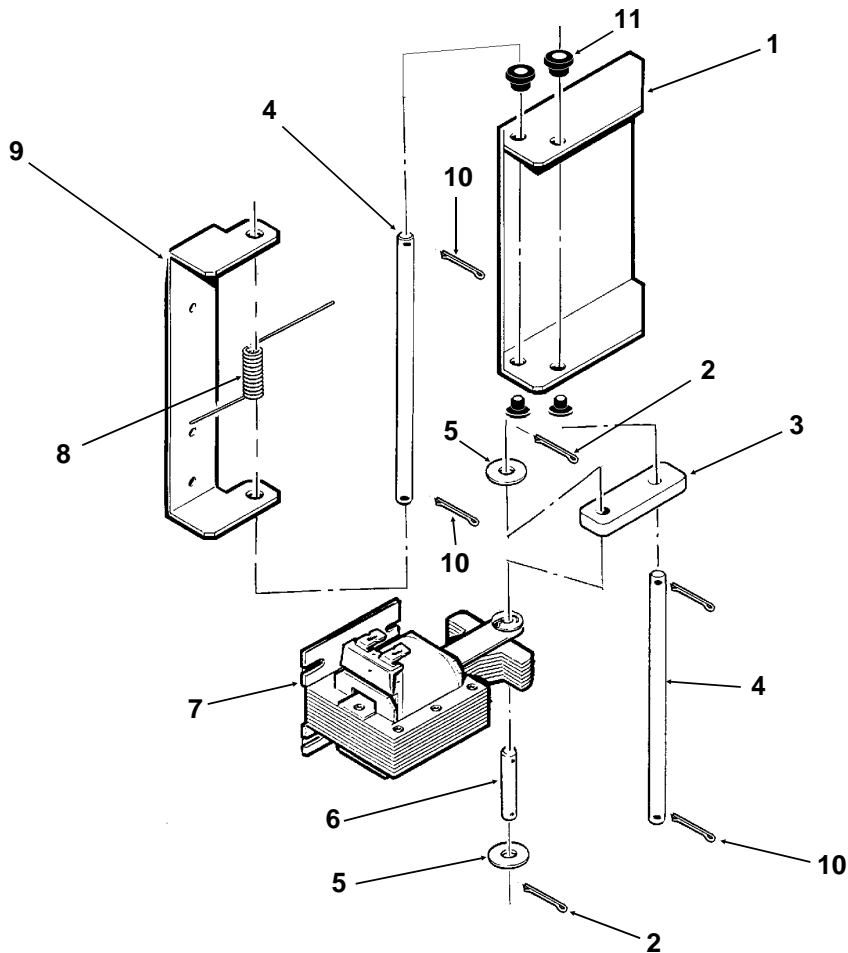
IS100 and IS150 SERVICE PARTS



ITEM NUMBER	PART NUMBER	DESCRIPTION
1	12-2090-02	Relay "A" or "B" up to serial numbers:
	12-2483-01	IS100, 368934-06X; IS150, 407527-10K
	12-2483-02	Relay after the above serial numbers, up to these serial numbers:
		IS100, 601768-07L; IS150, 622505-09L.
	12-2483-02	Relay, after above serial numbers
2	12-2390-01	Transformer
3	A34889-001	Right bracket
4	12-2385-01	Bulb Holder
5	A34803-001	Control Box Cover
6	12-2377-01	Fluorescent Tube (15 watt -18") IS100
	12-2377-02	Fluorescent Tube (16 watt -26") IS150
7	02-3067-01	Cover
8	13-0882-01	Rubber Mounts
9	A34890-001	Left light bracket (Optional)
10	A34873-001	Angle Bracket
11	12-2371-01	Recycling Timer
12	03-0727-06	Thumb Screw
13	02-3073-01	Spout Adaptor
14	12-2386-01	Starter
15	12-2395-01	Starter Socket
16	A34920-001	Solenoid cover, not shown
17	12-2380-01	Ballast, not shown; up to these serial numbers:
		IS100, 601768-07L; IS150, 622505-09L.
	12-2484-01	Ballast after the above serial numbers
18	13-0595-00	Door gasket, 5.5"

IS100 and IS150 SERVICE PARTS

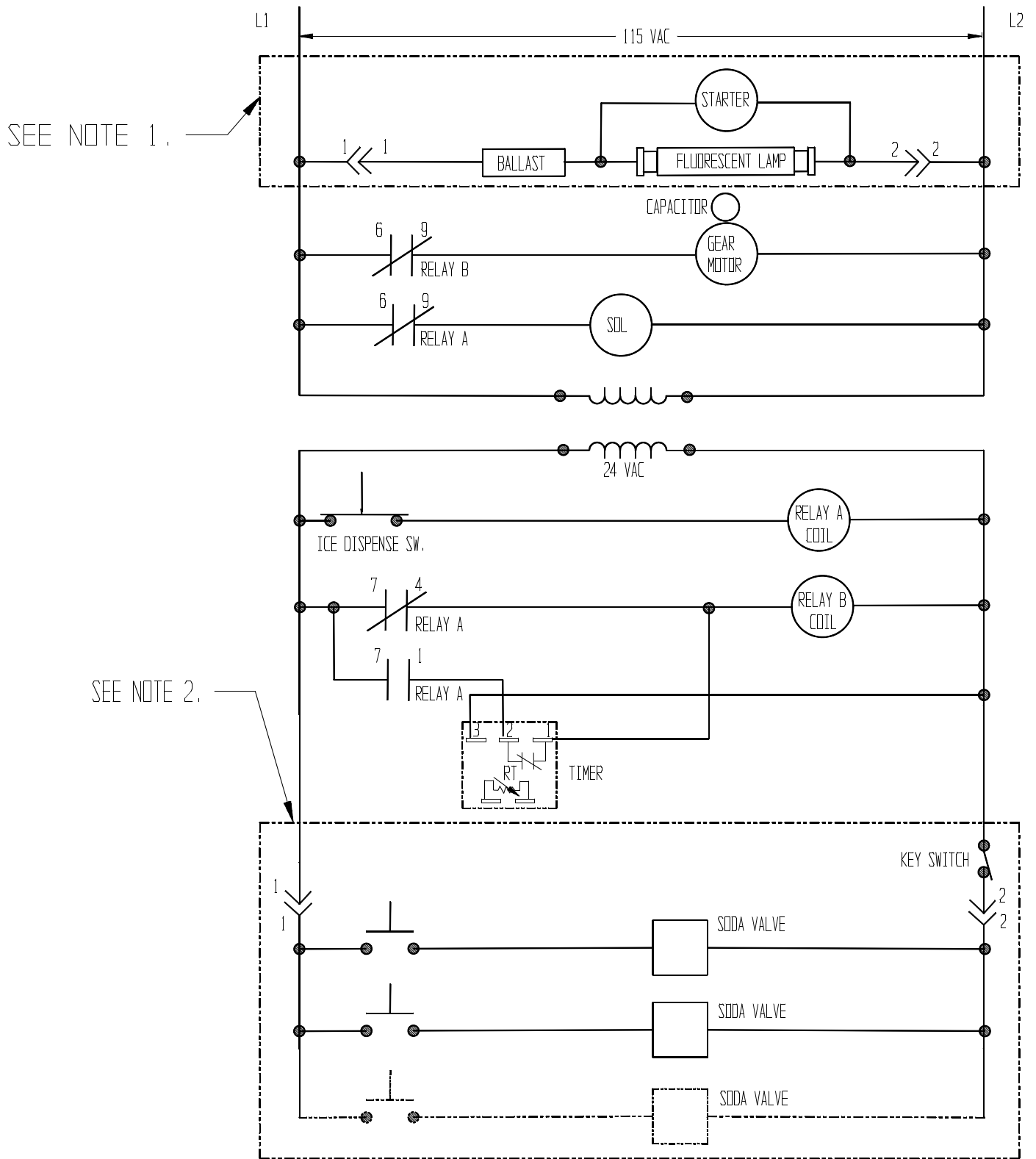
Ice Door And Solenoid Assembly



ITEM NUMBER	PART NUMBER	DESCRIPTION
1	A34801-001	Ice Door
2	03-0396-01	Cotter Pin
3	02-3089-01	Solenoid Link, for use without plastic bushings
	02-3089-02	Solenoid link, use with plastic bushings
	02-3187-01	Plastic bushing, used inside solenoid link 02-3089-02
4	02-3088-01	Long axle
5	03-1407-02	Flat Washer
6	A32685-001	Axle, Linkage
7	12-2862-01	Solenoid
8	A32690-001	Door Spring
9	A34802-001	Door Hinge
10	03-0396-08	Cotter pin
11	02-3187-01	Bushing

IS100 and IS150 SERVICE PARTS

Schematic Diagram



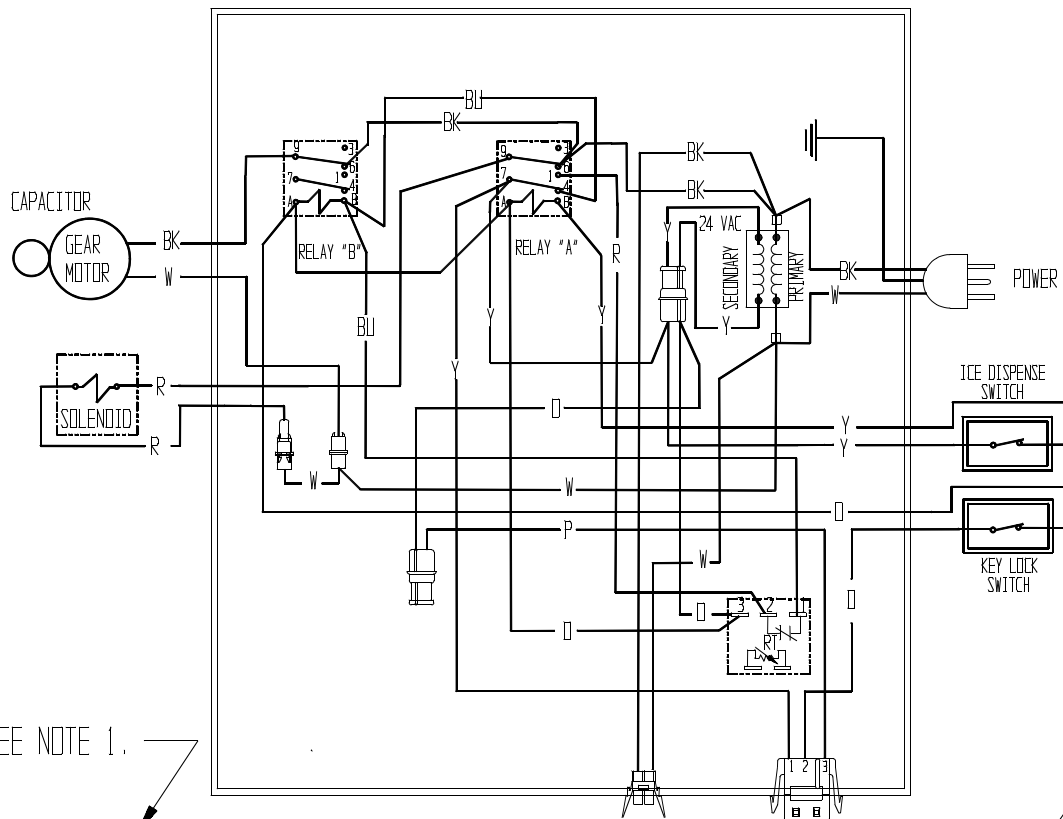
USE COPPER CONDUCTORS ONLY THIS UNIT MUST BE GROUNDED

IS100 and IS150 SERVICE PARTS

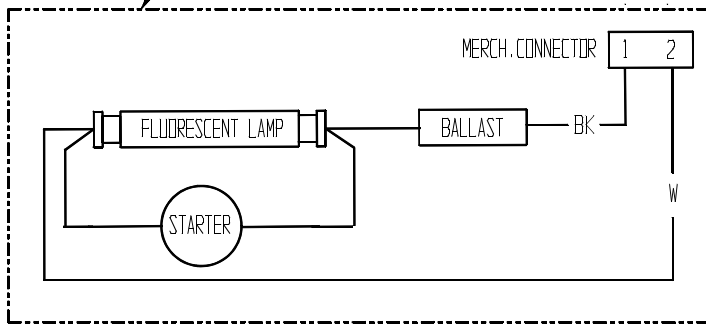
Component Layout Diagram

A34905-001

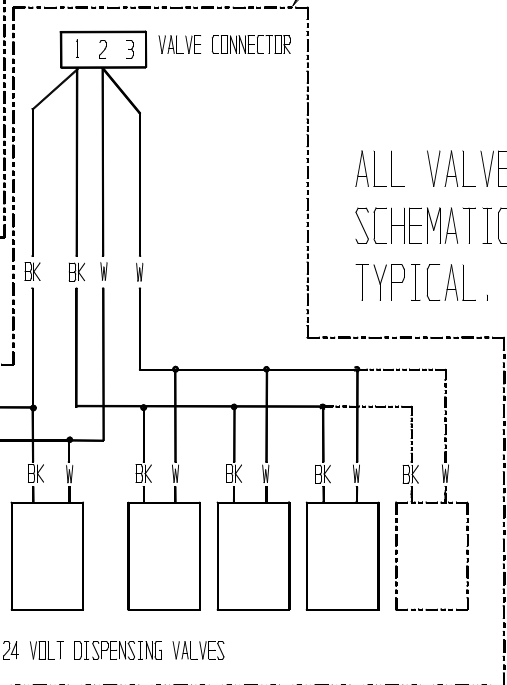
SEE NAMEPLATE FOR PROPER VOLTAGE REQUIREMENTS AND MAXIMUM FUSE SIZE.



SEE NOTE 1.



SEE NOTE #2



NOTES:

2. APPLICABLE ONLY FOR UNITS WITH SODA DISPENSING VALVES.